

The Xts-384 Variable Temperature Thermal Sealer is a low to medium throughput manual heat sealer. Compatible with a wide range seals and plates of differing heights by using the appropriate plate adapters.

The variable temperature heating element of the sealer allows for the optimisation of all seals and plates ensuring no damage to either, plate, seal or sample. The unique counter-lever handle mechanism ensures the correct pressure is applied with an ergonomic design minimising the force required. Combined with the variable temperature element is a programmable count down timer and alarm that ensures the correct pressure, temperature and time are used for optimal sealing.

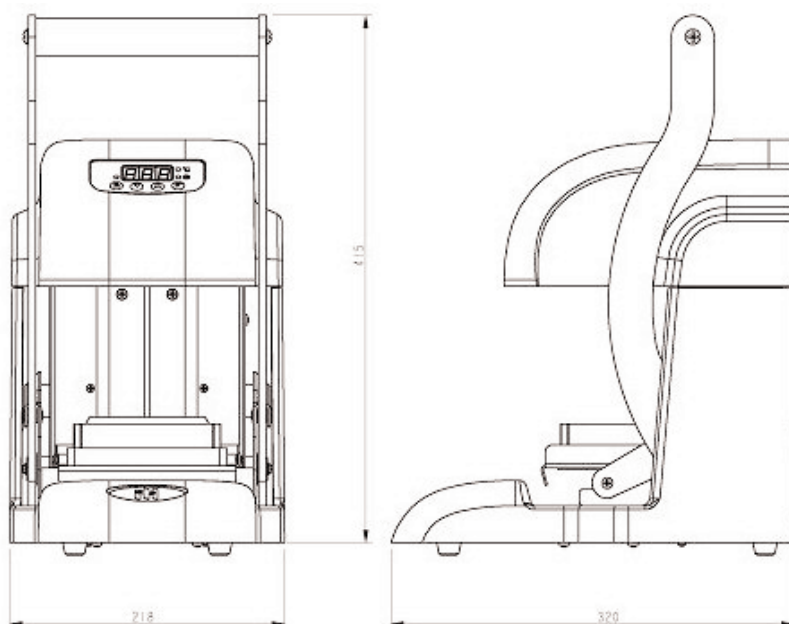


- Heat sealing temperature 125-200°C.
- Selectable temperature setting to suit a variety of sealing films.
- Heat sealing time of 1-9 seconds with selectable sealing time.
- Auto-notification when correct sealing position is reached.
- Rapid heating element for quick start-up.
- Stable safe design.
- Adapters for all plate varieties. Deep well block compatible.
- Ergonomic design to minimise operator strain.
- Full range of thermal seals available.
- Single action operation, no need to rotate plate and re-seal.

# Variable Temperature Thermal Sealer

## SPECIFICATIONS

Plate Formats	Can be used with all the following with appropriate adapter <ul style="list-style-type: none"> <li>• SBS standard polypropylene, polystyrene plates and deep well blocks</li> <li>• PCR Plates included hard shell, skirted, semi skirted and skirtless</li> </ul>
Dimensions	Width 218mm Depth 320mm Height 415mm
Weight	4.5kg
Power Requirements	AC 100 to 240 V, +10% /-10%. Less than 320W
Timer	User selectable from 1- 9 Seconds with Audible Alarm
Heating Element	User selectable Rapid Heating from 125 - 200°C
Ordering Information	<p>Xts-384 includes:</p> <ul style="list-style-type: none"> <li>• Xts-384 manual variable temperature heat sealer</li> <li>• Universal power supply with UK or Euro plug</li> <li>• Manual</li> </ul> <p>Adapters, at least 1 required:</p> <ul style="list-style-type: none"> <li>• Part # 42-1001 Universal adapter for SBS format plates</li> <li>• Part # 42-1002 Universal adapter for Std PCR plates (requiring support)</li> <li>• Part # 42-1003 Deepwell and bioblock adapter</li> </ul>



FluidX reserve the right to update and change product information without notice.