

EASYTRACK 2D-CODED CRYOTUBES - WITH INTERNAL THREAD

1ml and 2ml cryo tubes with internal thread. Ideal for use in a wide variety of storage environments and applications, including cryogenic storage of samples in vapour phase liquid nitrogen.

Temperature resistant

Manufactured from high quality polypropylene, EasyTrack Cryo Tubes can be stored at temperatures as low as -196°C .

Secure tracking

A unique 2D Datamatrix code is permanently adhered to the base of each tube. Combine with any of FluidX's range of single and whole rack 2D code readers to provide a quick and secure sample tracking system that can be easily integrated.

Space saving and easy to use

With a star-foot base the tubes will stand unaided and fit snugly inside the 48-position rack. Can be opened and closed with only one hand. SBS-format rack is stackable to save precious freezer space and can be re-used.

Automation-friendly

Compatible with the Xsd-96 and Xsd-8 tube decapper/recappers. These systems automatically remove and recap screwtop caps from 48-format racked tubes.

Quality control

Each 2D coded tube is tested to ensure readability and uniqueness. Every lot is tested for leakage to ensure sample safety.

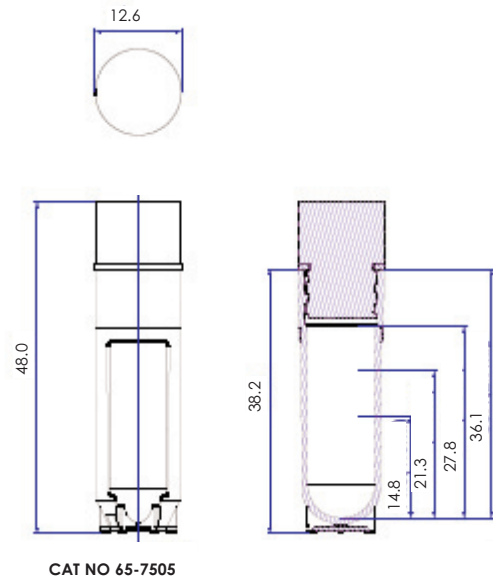
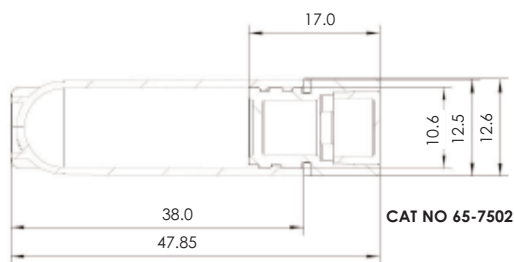
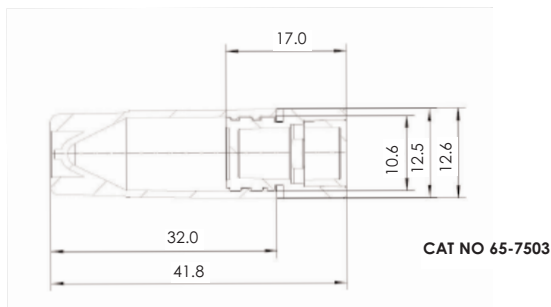
Reduce risk of contamination

With external, or internal, threaded screw caps to reduce the risk of sample contamination. As with all FluidX tubes, these cryo tubes are free of DNase, RNase, DNA and endotoxins. Sterilisation is achieved by irradiation conducted in accordance with EN552, ISO11137 and ANSI/AAMI/ST31/ST32 standards.

Protective jacket

2ml cryo tube is available with a protective jacket incorporating 2D code, linear barcode and human readable markings.

delivering solutions



ORDERING INFORMATION

Cat. No.	Description
65-7502	2D-coded Cryo Tubes 2ml polypropylene round bottom. Internal thread with o-ring in screw cap, with starfoot. 0.4-1.4 ml working volume, 12 x 41 mm. Orange cap, sterile. 100 per bag
65-7503	2D-coded Cryo Tubes 1ml polypropylene round bottom. Internal thread with o-ring in screw cap, with starfoot. 0.2-1.0 ml working volume, 12 x 32 mm (42mm with cap). Orange cap, sterile. 100 per bag
65-7504	2D-coded Cryo Tubes 2ml polypropylene round bottom with jacket. Internal thread with o-ring in screw cap, with starfoot. Jacket incorporating 2D code, linear barcode and human readable. 0.4-1.4 ml working volume, 12 x 41 mm. <u>Uncapped</u> , sterile. 500 pieces per bag
65-7505	2D-coded Cryo Tubes 2ml polypropylene round bottom with jacket. Internal thread with o-ring in screw cap, with starfoot. Jacket incorporating 2D code, linear barcode and human readable. 0.4-1.4 ml working volume, 12 x 41 mm. <u>Orange cap</u> , sterile. 500 pieces per bag
65-7551	Internal thread cap, natural, bulk. 1000 caps per bag.
65-7552	Internal thread cap, orange, bulk. 1000 caps per bag.
65-7521	24-Way Disposable Rack for 2D-coded Cryo Tubes Twist Lock and open bottom for reading on XTR range of rack reader. 10 racks per case
65-7541	48 Way Disposable Rack for 2D coded Cryo Tubes, with standard locking lid for 2ml cryo tubes. Twist Lock and open bottom for reading on XTR range of rack reader, 10 racks per case
65-7542	48 Way Disposable Rack for 2D Coded Cryo Tubes, with tall locking lid for 4ml cryo tubes. Twist Lock and open bottom for reading on XTR range of rack reader, 10 racks per Case
65-8501	48 Way Re Usable Rack for 2ml 2D Coded Cryo Tubes Twist Lock and Open bottom for reading on XTR range of rack reader
65-8502	48 Way Re Usable Rack for 4ml 2D Coded Cryo Tubes Twist Lock and Open bottom for reading on XTR range of rack reader

FluidX reserve the right to update and change product information without notice.

© FluidX Ltd. 2009.

EASYTRACK 2D-CODED CRYOTUBES - WITH EXTERNAL THREAD

2ml and 4ml U-bottom cryo tubes with external thread.
Ideal for use in a wide variety of storage environments and applications, including cryogenic storage of samples in vapour phase liquid nitrogen.

Temperature resistant

Manufactured from high quality polypropylene, EasyTrack Cryo Tubes can be stored at temperatures as low as -196°C .

Secure tracking

A unique 2D Datamatrix code is permanently adhered to the base of each tube. Combine with any of FluidX's range of single and whole rack 2D code readers to provide a quick and secure sample tracking system that can be easily integrated.

Space saving and easy to use

With a star-foot base the tubes will stand unaided and fit snugly inside the 48-position rack. Can be opened and closed with only one hand. SBS-format rack is stackable to save precious freezer space and can be re-used.

Automation-friendly

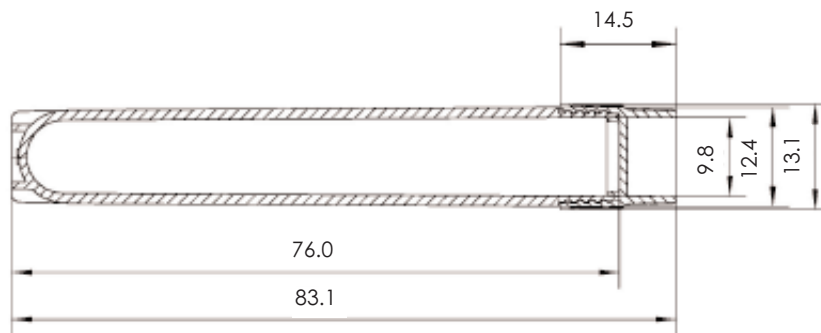
Compatible with the Xsd-96 and Xsd-8 tube decapper/recappers. These systems automatically remove and recap screwtop caps from 48-format racked tubes.

Quality control

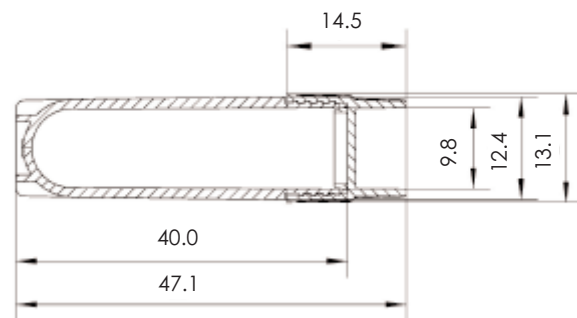
Each 2D coded tube is tested to ensure readability and uniqueness. Every lot is tested for leakage to ensure sample safety.

Reduce risk of contamination

With external, or internal, threaded screw caps to reduce the risk of sample contamination. As with all FluidX tubes, these cryo tubes are free of DNase, RNase, DNA and endotoxins. Sterilisation is achieved by irradiation conducted in accordance with EN552, ISO11137 and ANSI/AAMI/ST31/ST32 standards.



CAT NO 65-7511



CAT NO 65-7501

ORDERING INFORMATION

Cat. No.	Description
65-7501	2D-coded Cryo Tubes 2 ml polypropylene round bottom. External thread , natural screw cap, with starfoot. 0.4-1.8 ml working volume, 12.5 x 48 mm. Orange cap, sterile. 100 pieces per bag
65-7511	2D-coded Cryo Tubes 4 ml polypropylene round bottom. External thread , natural screw cap, with starfoot. 0.4-4.0 ml working volume, 12.5 x 86 mm. Orange cap, sterile. 50 pieces per bag
65-7521	24-Way Disposable Rack for 2D-coded Cryo Tubes Twist Lock and open bottom for reading on XTR range of rack reader. 10 racks per case
65-7541	48 Way Disposable Rack for 2D coded Cryo Tubes, with standard locking lid for 2ml cryo tubes. Twist Lock and open bottom for reading on XTR range of rack reader, 10 racks per case
65-7542	48 Way Disposable Rack for 2D Coded Cryo Tubes, with tall locking lid for 4ml cryo tubes. Twist Lock and open bottom for reading on XTR range of rack reader, 10 racks per Case
65-8501	48 Way Re Usable Rack for 2ml 2D Coded Cryo Tubes Twist Lock and Open bottom for reading on XTR range of rack reader
65-8502	48 Way Re Usable Rack for 4ml 2D Coded Cryo Tubes Twist Lock and Open bottom for reading on XTR range of rack reader